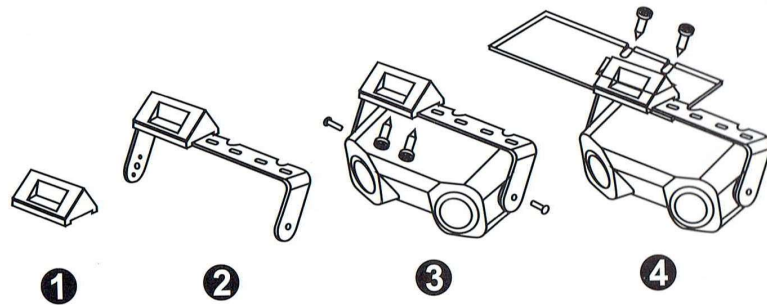


Installation



Trouble Shooting

In purchasing this 3 in 1 video parking sensor, you have acquired a product which has been designed with state-of-the-art cutting edge technology and is operationally reliable nevertheless, problems or faults may occur. For this reason, the following is a description of how you can eliminate possible malfunctions yourself.



Always adhere to the safety instructions

| Error | Possible cause | Solution |
|---|---|---|
| The parking aid does not switch on | Reverse gear is not engaged | Engage the reverse gear |
| | No ignition voltage | Switch the ignition on |
| | Incorrect wiring The fuse is defect | Check the plug connections and the flat fuse feeding the voltage supply |
| | The lateral slider is in the "OFF" position | Switch the slider to "ON, Lo or Hi" |
| The display shows incorrect distance values and activates erratically | Program error | Disengage the reverse gear and engage it again (reset) |
| | The sensors are very dirty | Clean the sensors regularly |

3 IN 1 VIDEO PARKING SENSOR USER'S MANUAL



Before using this system,
please read this manual thoroughly
and retain it future reference.